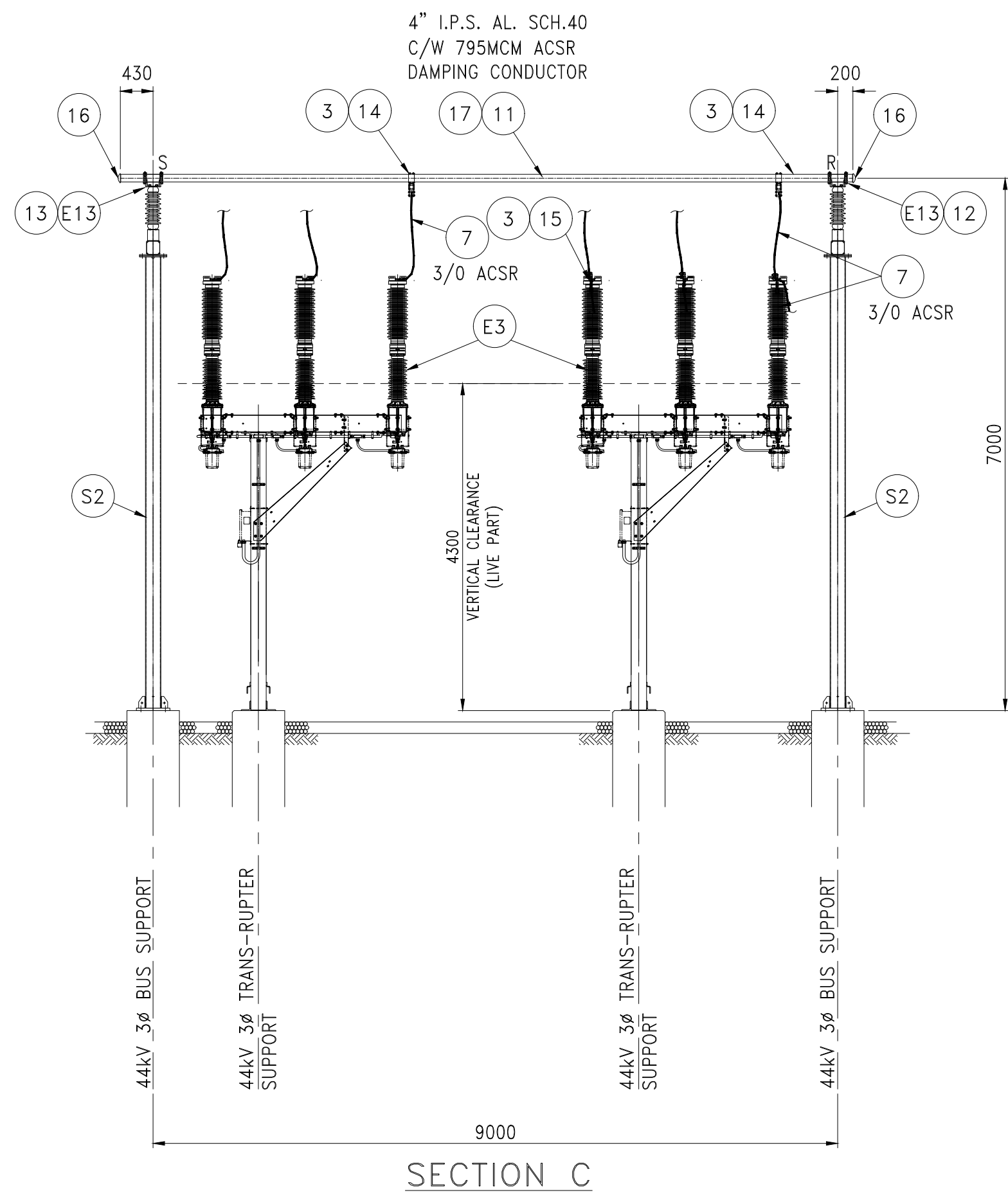
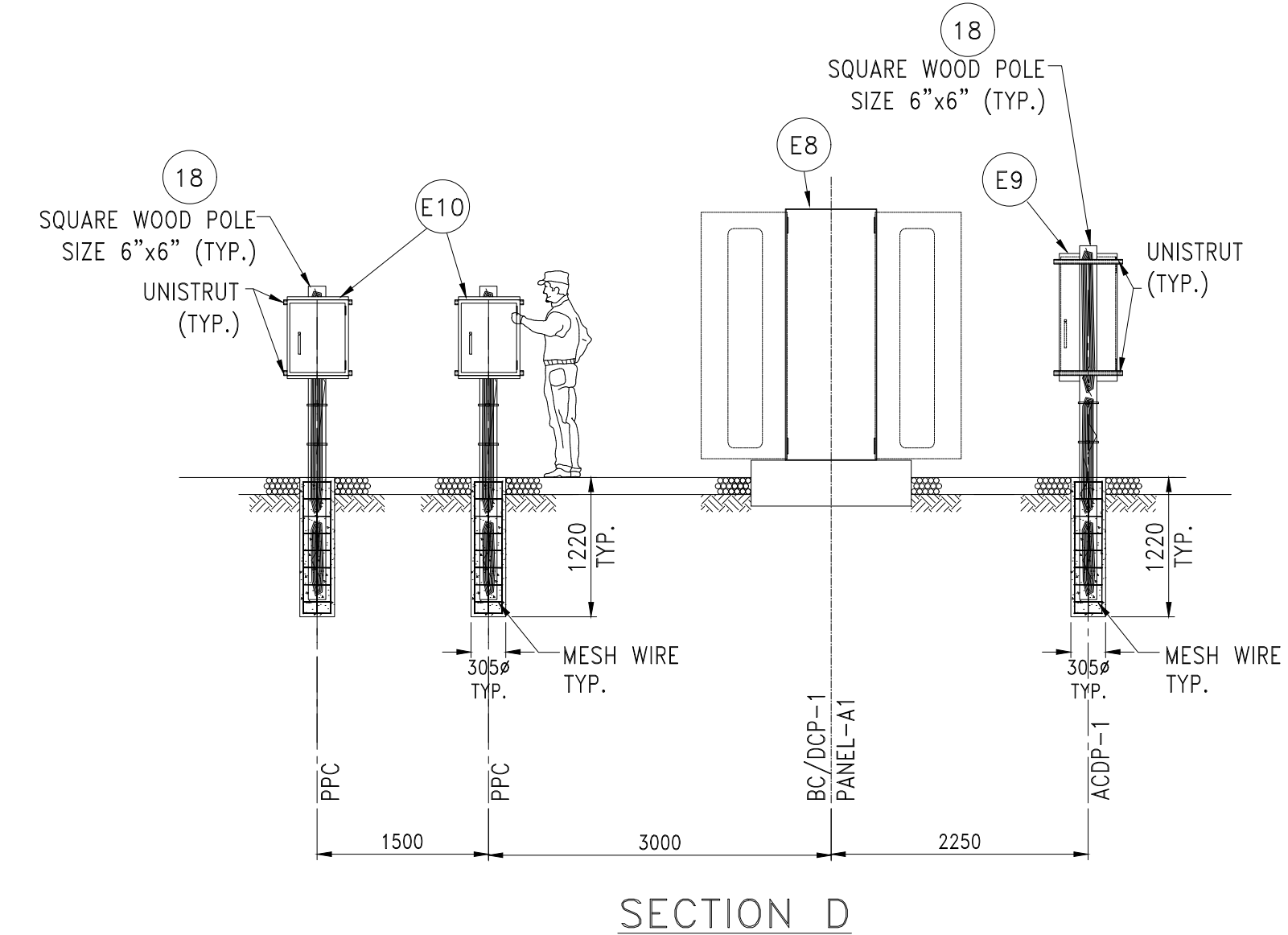


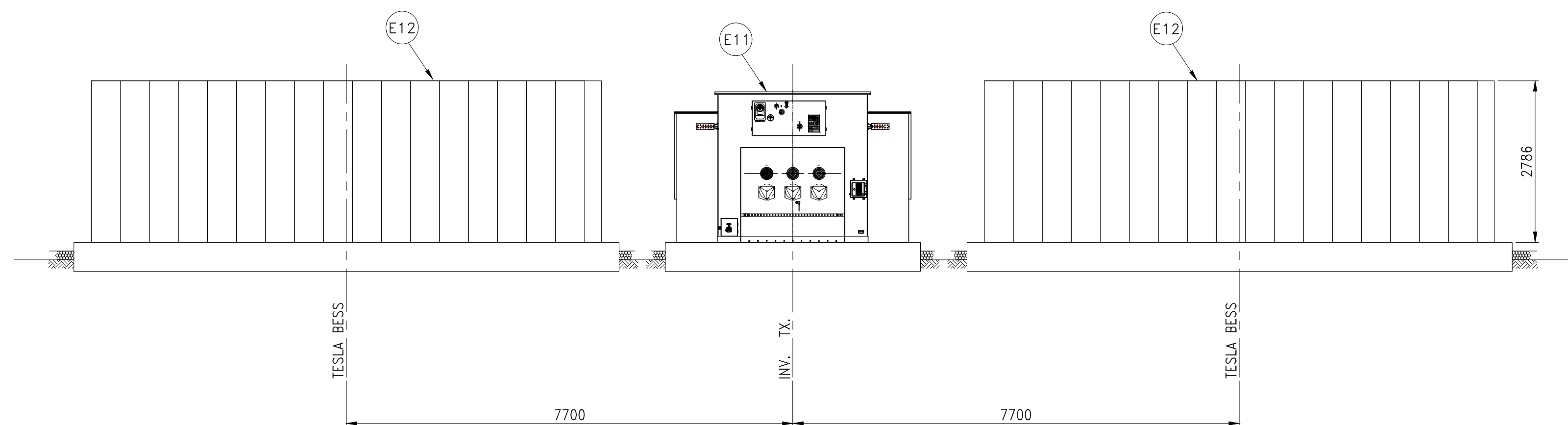
SECTION B



SECTION C



SECTION D



SECTION E

- NOTES:
1. FOR FOUNDATION LAYOUT PLAN, SEE DWG# 2428-C101.
 2. FOR LAYOUT PLAN, SEE DWG# 2428-E101.
 3. FOR BILL OF MATERIALS, SEE DWG# 2428-E104.
 4. FOR FENCE DETAILS, SEE DWG# 2428-E105.
 5. ALL DIMENSIONS AS SHOWN ARE METRIC IN MILLIMETRE UNLESS NOTED OTHERWISE.

- LEGEND:
- R - RIGID SUPPORT
 - S - SLIDE SUPPORT

REV.	ISSUE FOR CONSTRUCTION	30/09/2024	EH	SB	KW
0	ISSUE FOR CONSTRUCTION	30/09/2024	EH	SB	KW

ISSUE FOR REVIEW



BLACK & McDONALD LTD.
31 MILLMAN CRT.
SCARBOROUGH, ONT.
M1X 1S4
TEL: (416) 291-8200
FAX: (416) 291-2282

THIS DRAWING IS THE INTELLECTUAL PROPERTY OF BLACK AND MCDONALD LIMITED AND IS NOT TO BE LOANED OR REPRODUCED IN ANY WAY WITHOUT THE WRITTEN CONSENT OF BLACK AND MCDONALD LIMITED.

COMPASS ENERGY ALMONTE BESS

ALMONTE 2 (Ø 98 MV BESS)
SUBSTATION / SECTION B, C, D & E

CLIENT DRAWING NUMBER

DRAWING NUMBER	2428-E103	REVISION	0	SHEET	0001
DATE	07/04/2024	DRAWN	EH	CHECKED	SB
APPROVED	KW	SCALE:	N.T.S.		

