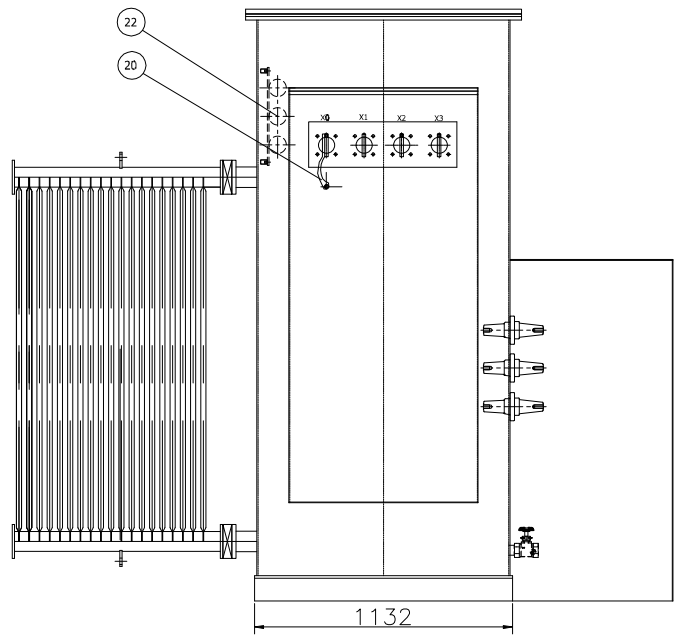
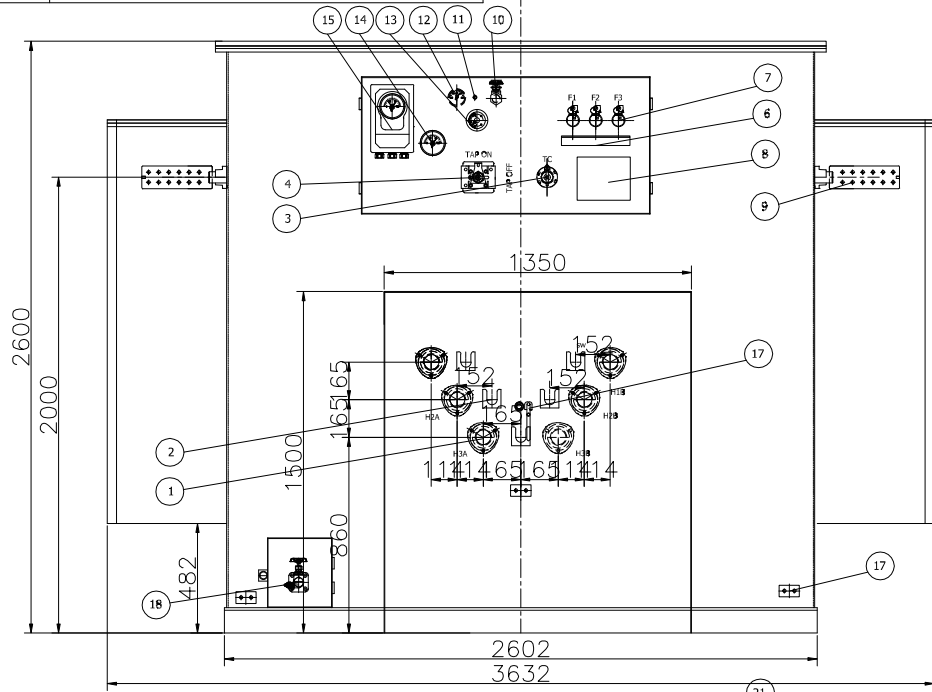
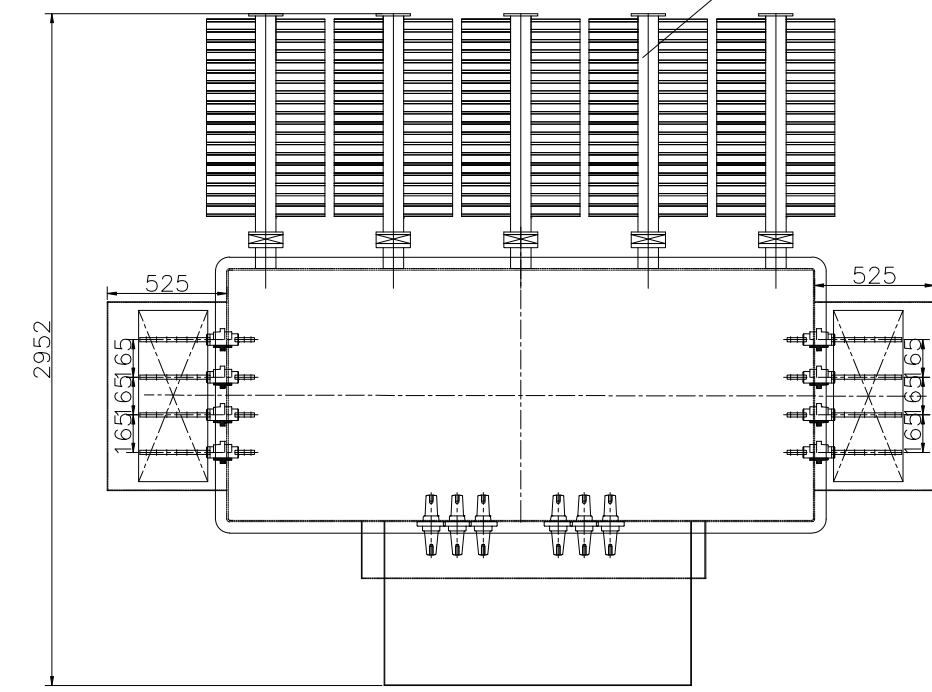


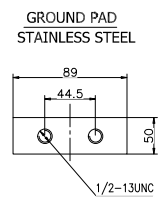
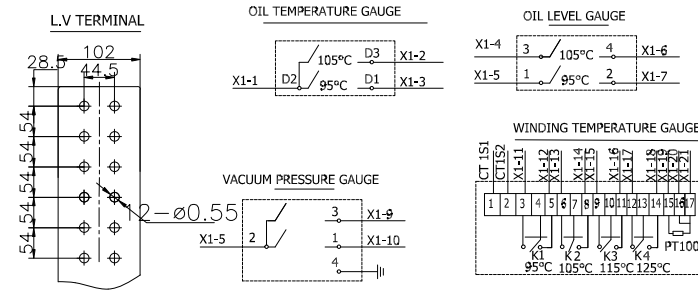
ON
DWG




TECHNICAL DATA	
RATING	6000-3000-3000kVA
PRIMARY VOLTAGE(V)	44000 DELTA
SECONDARY 1 VOLTAGE(V)	480GrdY/277
SECONDARY 2 VOLTAGE(V)	480GrdY/277
FREQUENCY	60Hz
VECTOR GROUP	Dyn1yn1
CONDUCTOR	AL
INSULATING OIL	MINERAL OIL NON-PCB TYPE II
TEMPERATURE RISE	65°C
LOAD LOSS AT RATED VOLTAGE	44500W
NO LOAD LOSSES	6100W
IMPEDANCE	10%
ALTITUDE	≤1000m
No. OF TAP POSITION	5
COLOR	ANSI GREY 70
CORE FORM	THREE-PHASE THREE-COLUMN



PARTS LIST		
ITEM	DESCRIPTION	QTY
1	HV BUSHING (IEC EU TYPE 35KV,600A)	6
2	PARKING STAND BRACKET	5
3	TAP CHANGER 3PH (250/35-6×5)	1
4	FOUR POSITION LOADBREAKER SWITCH	1
5		
6	DRIP TRAY	1
7	BAYONET FUSE 35KV	3
8	NAME PLATE	1
9	LV BUSHING(1.2KV 4000A)	8
10	1" UPPER FILL VALVE	1
11	PRESSURE RELIEF VALVE	1
12	VACUUM PRESSURE GAUGE	1
13	OIL LEVEL GAUGE	1
14	OIL TEMPERATURE GAUGE	1
15	WINDING TEMPERATURE GAUGE	1
16	DOOR HANDLE	1
17	GROUND COOPER PADS	2
18	1" DRAIN VALVE WITH 3/8" SAMPLER	1
19	GROUND STEEL PADS	6
20	FIXED PROJECTING CUP	3
21	RADIATOR PJ-1600-16/520	5
22	ELSP FUSE 35KV	6



ITEM	WEIGHT
TANK & ACCESSORIES	4230Kg
TOTAL OIL WEIGHT	3000 KG
TOTAL WEIGHT	17500 Kg

TYPE JZP-H-6000/44/0.48				DWG. NAME General Assembly Drawing	
DRAWN	CHECKED	CHECKED	APPROVED	FIRST ANGLE PROJECTION	SCALE 1
MACK	JACK	IRIS	SAM		
JZP-3S-001013					
					REV. NO. 